

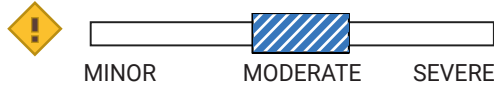


Vehicle History Report™

2014 MERCEDES-BENZ CLA 250

VIN: WDDSJ4EB1EN034990
SEDAN 4 DR
2.0L I4 F DOHC 16V
GASOLINE
FRONT WHEEL DRIVE

Accident reported: moderate damage



3 Service history records

At least 1 open recall

3 Previous owners

90,231 Last reported odometer reading

This CARFAX Vehicle History Report is based only on information supplied to CARFAX and available as of 1/1/24 at 4:10:52 PM (CST). Other information about this vehicle, including problems, may not have been reported to CARFAX. Use this report as one important tool, along with a vehicle inspection and test drive, to make a better decision about your next used car.



Ownership History

The number of owners is estimated

	Owner 1	Owner 2	Owner 3
Year purchased	2013	2016	2017
Type of owner	Personal	Personal	Personal
Estimated length of ownership	2 yrs. 2 mo.	1 yr. 9 mo.	6 yrs. 2 mo.
Owned in the following states/provinces	Ontario	Ontario	Ontario
Estimated miles driven per year	11,449/yr	10,686/yr	10,625/yr
Last reported odometer reading	22,146	34,921	90,231



Title History

CARFAX guarantees the information in this section

	Owner 1	Owner 2	Owner 3
Damage Brands Salvage Junk Rebuilt Fire Flood Hail Lemon	Guaranteed No Problem	Guaranteed No Problem	Guaranteed No Problem
Odometer Brands Not Actual Mileage Exceeds Mechanical Limits	Guaranteed No Problem	Guaranteed No Problem	Guaranteed No Problem



GUARANTEED - None of these title problems were reported by a U.S. state Department of Motor Vehicles (DMV). If you find that any of these title problems were reported by a DMV and not included in this report, you may qualify.
View Terms | View Certificate

CARFAX Additional History Not all accidents / issues are reported to CARFAX	Owner 1	Owner 2	Owner 3
Total Loss No total loss reported to CARFAX.	✓ No Issues Reported	✓ No Issues Reported	✓ No Issues Reported
Structural Damage CARFAX recommends that you have this vehicle inspected by a collision repair specialist.	✓ No Issues Reported	✓ No Issues Reported	✓ No Issues Reported
Airbag Deployment No airbag deployment reported to CARFAX.	✓ No Issues Reported	✓ No Issues Reported	✓ No Issues Reported
Odometer Check No indication of an odometer rollback.	✓ No Issues Indicated	✓ No Issues Indicated	✓ No Issues Indicated
Accident / Damage Vandalism damage reported: 12/11/2017. Accidents reported: 03/22/2018, 01/05/2020, and 06/17/2022. Damage reported: 06/08/2018, 02/05/2022, and 02/09/2022.	✓ No Issues Reported	✓ No Issues Reported	Accident Reported
Manufacturer Recall At least 1 manufacturer recall requires repair. Most recalls can be repaired free of charge.	✓ No Recalls Reported	✓ No Recalls Reported	Recall Reported
Basic Warranty Original warranty estimated to have expired.	Warranty Expired	Warranty Expired	Warranty Expired

CARFAX Detailed History





Owner 1
Purchased: 2013





Low mileage! This owner drove less than the industry average of 15,000 miles per year.



Personal Vehicle
11,449 mi/yr

Date	Mileage	Source	Comments
10/10/2013		Ontario Ministry of Transportation	Registration issued or renewed - First owner reported - Registered as personal vehicle - Passed safety inspection - Vehicle color noted as White
04/28/2014	10,133	Ontario Ministry of Transportation	Registration issued or renewed - Registered as personal vehicle - Odometer reported as 16,307 kilometers

01/07/2015		Ontario Service Facility		Mechanical issue reported - Vehicle towed
01/21/2015	21,161	Ontario Ministry of Transportation		Registration issued or renewed - Registered as personal vehicle - Odometer reported as 34,055 kilometers
02/27/2015		Ontario Service Facility		Mechanical issue reported - Vehicle towed
07/28/2015		Top Notch Motors Inc. Brampton, ON 905-459-2050 ★ 4.4 / 5.0 18 Verified Reviews ❤️ 22 Customer Favorites		Vehicle serviced - Brake pads replaced - Brake calipers cleaned/serviced - Front brake pads replaced - Tire condition and pressure checked - Tire(s) replaced - Safety inspection performed - Emissions inspection performed
09/16/2015	22,146	Top Notch Motors Inc. Brampton, ON 905-459-2050 ★ 4.4 / 5.0 18 Verified Reviews ❤️ 22 Customer Favorites		Vehicle serviced - Mirror(s) checked - Odometer reported as 35,641 kilometers

 Owner 2 Purchased: 2016		Low mileage! This owner drove less than the industry average of 15,000 miles per year.	Personal Vehicle 10,686 mi/yr
---	---	---	----------------------------------

Date	Mileage	Source	Comments
01/08/2016	23,649	Ontario Ministry of Transportation	Registration issued or renewed - New owner reported - Registered as personal vehicle - Odometer reported as 38,059 kilometers
01/27/2017	34,921	Ontario Ministry of Transportation	Registration issued or renewed - Registered as personal vehicle - Odometer reported as 56,200 kilometers

 Owner 3 Purchased: 2017		Low mileage! This owner drove less than the industry average of 15,000 miles per year.	Personal Vehicle 10,625 mi/yr
---	---	---	----------------------------------

Date	Mileage	Source	Comments
10/18/2017	36,958	Ontario	Passed Ontario safety standards

Ministry of
Transportation

inspection

- Registration issued or renewed
- New owner reported
- Registered as personal vehicle
- Vehicle color noted as White
- Odometer reported as 59,478 kilometers

12/11/2017

Damage Report
Ontario



Vandalism damage claim reported

- Claim amount was CAD\$3,369
- Claim amount was updated on 01/13/2018.

03/22/2018

Ontario
Damage Report



Accident reported: moderate damage

- Vehicle involved in a rear-end collision with another motor vehicle
- Damage to rear

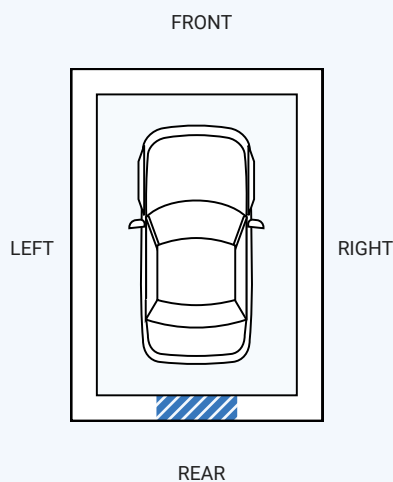


**CARFAX HAS THE MOST
ACCIDENT & DAMAGE
INFORMATION**

Damage Severity Scale



Damage Location



03/22/2018

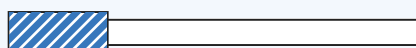
Damage Report
Ontario



Damage claim reported

- Claim amount was CAD\$996
- Claim amount was updated on 10/13/2018.
- Minor damage reported

Damage Severity Scale



MINOR

MODERATE

SEVERE



06/08/2018

Damage Report
Ontario



Damage claim reported

- Claim amount was CAD\$2,643
- Claim amount was updated on 09/08/2018.



Not all damage is caused by an accident. Get the car inspected before you buy. [Learn More](#)

10/23/2019 62,741

Ontario
Ministry of
Transportation

Registration issued or renewed

- Registered as personal vehicle
- Vehicle color noted as White
- Odometer reported as 100,972 kilometers

01/05/2020

Damage Report
Ontario

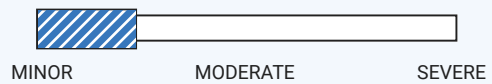


Damage reported: minor damage

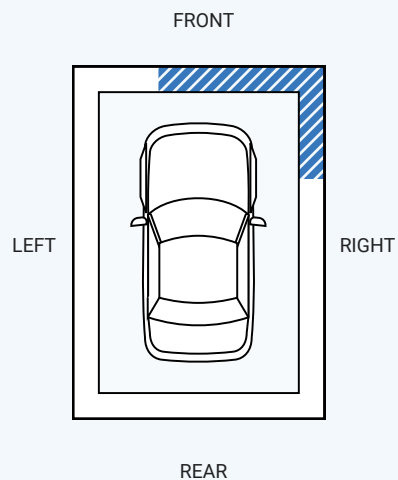
- Damage to front
- Damage to right front
- Accident damage claim reported
- Claim amount was CAD\$9,822
- Claim amount was updated on 04/04/2020.



Damage Severity Scale



Damage Location



**CARFAX HAS THE MOST
ACCIDENT & DAMAGE
INFORMATION**

08/23/2021 79,038

Ashbridge Auto Service
Woodbridge, ON



Vehicle serviced
Tire(s) balanced

Woodbridge, ON
905-856-9062
❤️ 1 Customer Favorite

- Tire(s) balanced
- Four tires balanced
- Four tires mounted
- Four tires replaced
- Odometer reported as 127,199 kilometers

02/05/2022

Damage Report
Ontario



Damage claim reported

- Claim amount was CAD\$1,896
- Claim amount was updated on 04/16/2022.



Not all damage is caused by an accident. Get the car inspected before you buy. [Learn More](#)

02/09/2022

Damage Report

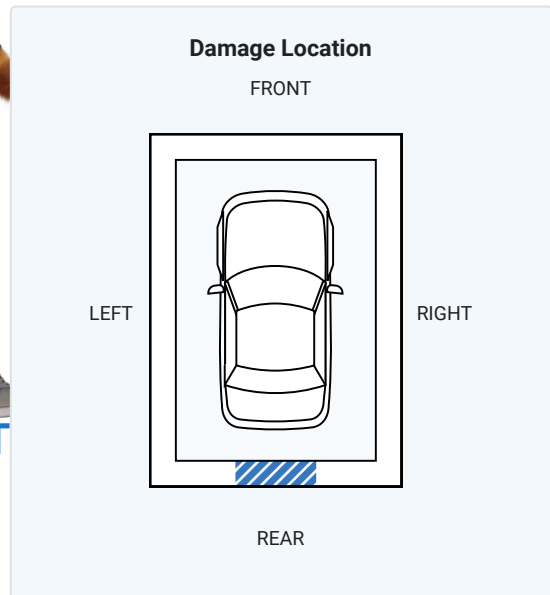
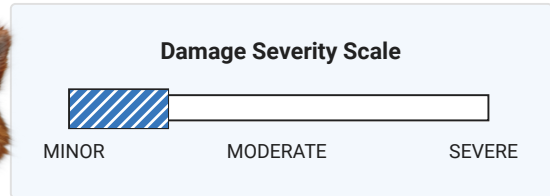


Damage reported: minor damage

- Damage to rear



**CARFAX HAS THE MOST
ACCIDENT & DAMAGE
INFORMATION**



05/24/2022

Mercedes-Benz Canada

Manufacturer Safety Recall issued

- Recall #2021060002 2017 MODEL(S): V
- Status: Remedy Available

Click here or call 1-800-387-0100 to locate an authorized Mercedes-Benz dealer near you to obtain more

information about this recall

06/17/2022

Damage Report
Ontario



Accident damage claim reported

- It hit an animal
- Claim amount was CAD\$6,337
- Claim amount was updated on 09/03/2022.

10/22/2022 90,231

Ontario
Ministry of
Transportation

Registration issued or renewed

- Registered as personal vehicle
- Vehicle color noted as White
- Odometer reported as 145,213 kilometers

Have Questions? Consumers, please visit our Help Center at www.carfax.com. Dealers or Subscribers, please visit our Help Center at www.carfaxonline.com.



Glossary

Accident Indicator

CARFAX receives information about accidents in all 50 states, the District of Columbia and Canada.

Not every accident is reported to CARFAX. As details about the accident become available, those additional details are added to the CARFAX Vehicle History Report. CARFAX recommends that you have this vehicle inspected by a qualified mechanic.

- According to the National Safety Council, Injury Facts, 2021 edition, 5% of the 276 million registered vehicles in the U.S. were involved in an accident in 2019. Over 77% of these were considered minor or moderate.
- This CARFAX Vehicle History Report is based only on information supplied to CARFAX and available as of 1/1/24 at 4:10:52 PM (CST). Other information about this vehicle, including problems, may not have been reported to CARFAX. Use this report as one important tool, along with a vehicle inspection and test drive, to make a better decision about your next used car.

Canadian Damage Report

CARFAX receives damage reports for many accidents occurring in the following Canadian Provinces: Ontario, Alberta, Nova Scotia, New Brunswick, Prince Edward Island, Newfoundland, Yukon territories, Northwest territories, and Nunavut. These reports may be completed following an accident or other incident. Some include a damage claim amount. This amount represents physical damage to the vehicle and depending on the accident, damage to other vehicles and/or property. It does not include expenses like towing, a rental car or any medical related items.

Damage Indicator

Damage can be a result of many different types of events. Examples include contact with objects (other cars, trees, traffic signs, road debris, etc), vandalism, or weather-related events. Not every damage event is reported to CARFAX. As details about the damage event become available, those additional details are added to the CARFAX Vehicle History Report. CARFAX recommends that you have this vehicle inspected by a qualified mechanic.

- This CARFAX Vehicle History Report is based only on information supplied to CARFAX and available as of 1/1/24 at 4:10:52 PM (CST). Other information about this vehicle, including problems, may not have been reported to CARFAX. Use this report as one important tool, along with a vehicle inspection and test drive, to make a better decision about your next used car.

Damage Severity

Damage events result in one of the following severity levels:

- **Minor:** Generally, minor damage is cosmetic (including dents or scratches), may only require reconditioning, and typically does not compromise a vehicle's operation and/or safety.
- **Moderate:** Moderate damage may affect multiple components of the vehicle and may impair the vehicle's operation and/or safety.

- Severe: Severe damage usually affects multiple components of the vehicle and is likely to compromise the vehicle's operation and/or safety.

CARFAX recommends getting a pre-purchase inspection at a certified collision repair facility.

First Owner

When the first owner(s) obtains a title from a Department of Motor Vehicles as proof of ownership.

Manufacturer Recall

Automobile manufacturers issue recall notices to inform vehicle owners of a safety defect or failure to meet minimum federal safety or emissions standards. Manufacturer recalls are repaired at no cost to the customer.

New Owner Reported

When a vehicle is sold to a new owner, the Title must be transferred to the new owner(s) at a Department of Motor Vehicles.

Ownership History

CARFAX defines an owner as an individual or business that possesses and uses a vehicle. Not all title transactions represent changes in ownership. To provide estimated number of owners, CARFAX proprietary technology analyzes all the events in a vehicle history. Estimated ownership is available for vehicles manufactured after 1991 and titled solely in the US including Puerto Rico. Dealers sometimes opt to take ownership of a vehicle and are required to in the following states: Maine, Massachusetts, New Jersey, Ohio, Oklahoma, Pennsylvania and South Dakota. Please consider this as you review a vehicle's estimated ownership history.

Follow Us:  facebook.com/CARFAX  [@CARFAXinc](https://twitter.com/CARFAXinc)  [About CARFAX](#)

CARFAX DEPENDS ON ITS SOURCES FOR THE ACCURACY AND RELIABILITY OF ITS INFORMATION. THEREFORE, NO RESPONSIBILITY IS ASSUMED BY CARFAX OR ITS AGENTS FOR ERRORS OR OMISSIONS IN THIS REPORT. CARFAX FURTHER EXPRESSLY DISCLAIMS ALL WARRANTIES, EXPRESS OR IMPLIED, INCLUDING ANY IMPLIED WARRANTIES OF MERCHANTABILITY OR FITNESS FOR A PARTICULAR PURPOSE.

© 2024 CARFAX, Inc., part of S&P Global. All rights reserved.
1/1/24 4:10:52 PM (CST)

I have reviewed and received a copy of the CARFAX Vehicle History Report for this 2014 MERCEDES-BENZ CLA vehicle (VIN: WDDSJ4EB1EN034990), which is based on information supplied to CARFAX and available as of 1/1/24 at 5:10 PM (EST).

Customer Signature

Date

Dealer Signature

Date