



# Vehicle History Report™

US \$44.99

## 2015 TOYOTA COROLLA LE

VIN: 2T1BURHE5FC449710  
SEDAN 4 DR  
1.8L I4 F DOHC 16V  
GASOLINE  
FRONT WHEEL DRIVE



**15** Detailed records available

**67,895** Last reported odometer reading

This CARFAX Vehicle History Report is based only on information supplied to CARFAX and available as of 6/12/23 at 12:28:27 PM (CDT). Other information about this vehicle, including problems, may not have been reported to CARFAX. Use this report as one important tool, along with a vehicle inspection and test drive, to make a better decision about your next used car.

<b>Title History</b> CARFAX guarantees the information in this section	<b>Summary</b>
<b>Damage Brands</b> Salvage   Junk   Rebuilt   Fire   Flood   Hail   Lemon	<input checked="" type="checkbox"/> <b>Guaranteed</b> No Problem
<b>Odometer Brands</b> Not Actual Mileage   Exceeds Mechanical Limits	<input checked="" type="checkbox"/> <b>Guaranteed</b> No Problem
<b>GUARANTEED</b> - None of these major title problems were reported by a state Department of Motor Vehicles (DMV). If you find that any of these title problems were reported by a DMV and not included in this report, CARFAX will buy this vehicle back. <a href="#">View Terms</a>   <a href="#">View Certificate</a>	

<b>Additional History</b> Not all accidents / issues are reported to CARFAX	<b>Summary</b>
<b>Total Loss</b> No total loss reported to CARFAX.	<input checked="" type="checkbox"/> No Issues Reported
<b>Structural Damage</b> CARFAX recommends that you have this vehicle inspected by a collision repair specialist.	<input checked="" type="checkbox"/> No Issues Reported

<b>Airbag Deployment</b> No airbag deployment reported to CARFAX.	<input checked="" type="checkbox"/> No Issues Reported
<b>Odometer Check</b> No indication of an odometer rollback.	<input checked="" type="checkbox"/> No Issues Indicated
<b>Accident / Damage</b> Accidents reported: 12/24/2021 and 01/27/2023.	Severe Damage
<b>Manufacturer Recall</b> No open recalls reported to CARFAX. Check with an authorized Toyota dealer for any open recalls. View Toyota disclosure	<input checked="" type="checkbox"/> No Recalls Reported
<b>Basic Warranty</b> Original warranty estimated to have expired.	<b>Warranty Expired</b>




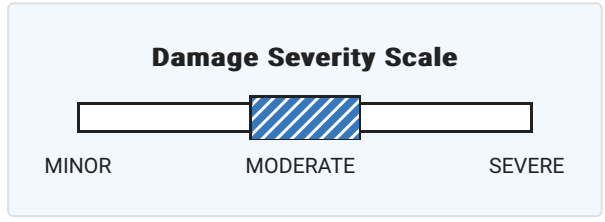
## Detailed History

Date	Mileage	Source	Comments
09/08/2015		Quebec Motor Vehicle Dept. Chateauguay, QC	<b>Registration issued or renewed</b> - First owner reported - Titled or registered as personal lease vehicle
10/12/2016		Quebec Motor Vehicle Dept.	<b>Registration issued or renewed</b>
09/20/2017		Quebec Motor Vehicle Dept.	<b>Registration issued or renewed</b>
09/05/2018		Quebec Motor Vehicle Dept.	<b>Registration issued or renewed</b>
09/11/2019		Quebec Motor Vehicle Dept.	<b>Registration issued or renewed</b>
09/14/2020	67,651	Quebec Motor Vehicle Dept.	<b>Registration issued or renewed</b> - New owner reported - Odometer reported as 108,874 kilometers
10/01/2020		Quebec Motor Vehicle Dept.	<b>Registration issued or renewed</b> - New owner reported
10/09/2020	67,667	Quebec	<b>Registration issued or renewed</b>

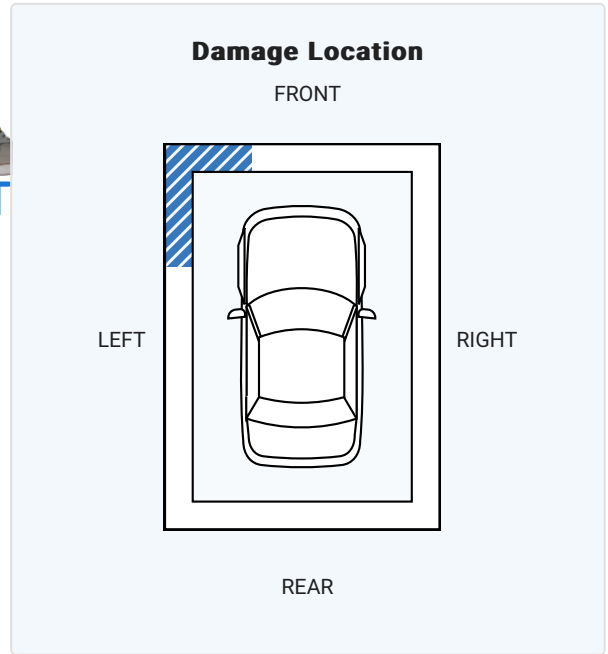
0	Motor Vehicle Dept.	- New owner reported - Odometer reported as 108,899 kilometers
10/20/2020	Ontario Ministry of Transportation	<b>Registration issued or renewed</b> - Passed safety inspection - Vehicle previously registered in Quebec - Vehicle color noted as Black
01/21/2021	67,895 Ontario Ministry of Transportation Kitchener/Waterloo, ON	<b>Registration issued or renewed</b> - Titled or registered as personal lease vehicle - Vehicle color noted as Black - Odometer reported as 109,266 kilometers
11/18/2021	Ontario Ministry of Transportation	<b>Passed Ontario safety standards inspection</b> - New owner reported - Vehicle color noted as Black

12/24/2021  
1 Ontario Damage Report

 **Accident reported: moderate damage with another motor vehicle**  
- Damage to left front



**CARFAX HAS THE MOST ACCIDENT & DAMAGE INFORMATION**



01/27/2023

Ontario  
Damage Report

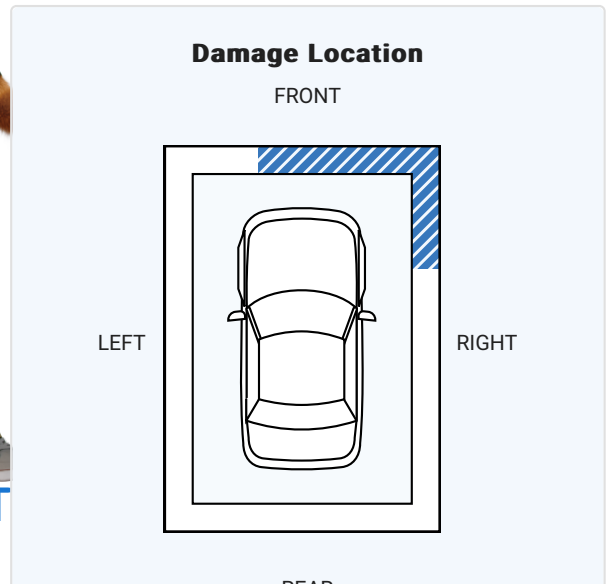
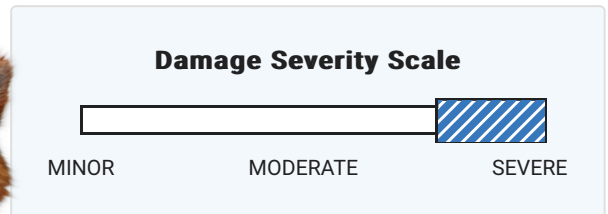


**Accident reported: severe damage**

- It hit a snowbank
- It hit a pole
- Damage to right front
- Damage to front
- Damage to undercarriage



**CARFAX HAS THE MOST ACCIDENT & DAMAGE**



# INFORMATION

REAR



Safety first! In accidents like this, airbags may deploy and need replacing. Get them inspected before you buy. Airbag Tips

01/27/2023

Damage Report  
Ontario



### Accident damage claim reported

- Claim amount was CAD\$20,153
- Claim amount was updated on 04/08/2023.

05/30/2023

Ontario  
Ministry of  
Transportation

### Requires Ontario safety standards inspection

- New owner reported
- Vehicle color noted as Black

Have Questions? Consumers, please visit our Help Center at [www.carfax.com](http://www.carfax.com). Dealers or Subscribers, please visit our Help Center at [www.carfaxonline.com](http://www.carfaxonline.com).



## Glossary

### Accident Indicator

CARFAX receives information about accidents in all 50 states, the District of Columbia and Canada.

Not every accident is reported to CARFAX. As details about the accident become available, those additional details are added to the CARFAX Vehicle History Report. CARFAX recommends that you have this vehicle inspected by a qualified mechanic.

- According to the National Safety Council, Injury Facts, 2021 edition, 5% of the 276 million registered vehicles in the U.S. were involved in an accident in 2019. Over 77% of these were considered minor or moderate.
- This CARFAX Vehicle History Report is based only on information supplied to CARFAX and available as of 6/12/23 at 12:28:27 PM (CDT). Other information about this vehicle, including problems, may not have been reported to CARFAX. Use this report as one important tool, along with a vehicle inspection and test drive, to make a better decision about your next used car.

### Canadian Damage Report

CARFAX receives damage reports for many accidents occurring in the following Canadian Provinces: Ontario, Alberta, Nova Scotia, New Brunswick, Prince Edward Island, Newfoundland, Yukon territories, Northwest territories, and Nunavut. These reports may be completed following an accident or other incident. Some include a damage claim amount. This amount represents physical damage to the vehicle and depending on the accident, damage to other vehicles and/or property. It does not include expenses like towing, a rental car or any medical related items.

### Damage Indicator

Damage can be a result of many different types of events. Examples include contact with objects (other cars, trees, traffic signs, road debris, etc), vandalism, or weather-related events. Not every damage event

is reported to CARFAX. As details about the damage event become available, those additional details are added to the CARFAX Vehicle History Report. CARFAX recommends that you have this vehicle inspected by a qualified mechanic.

- This CARFAX Vehicle History Report is based only on information supplied to CARFAX and available as of 6/12/23 at 12:28:27 PM (CDT). Other information about this vehicle, including problems, may not have been reported to CARFAX. Use this report as one important tool, along with a vehicle inspection and test drive, to make a better decision about your next used car.

### **Damage Severity**

Damage events result in one of the following severity levels:

- **Minor:** Generally, minor damage is cosmetic (including dents or scratches), may only require reconditioning, and typically does not compromise a vehicle's operation and/or safety.
- **Moderate:** Moderate damage may affect multiple components of the vehicle and may impair the vehicle's operation and/or safety.
- **Severe:** Severe damage usually affects multiple components of the vehicle and is likely to compromise the vehicle's operation and/or safety.

CARFAX recommends getting a pre-purchase inspection at a certified collision repair facility.

### **First Owner**

When the first owner(s) obtains a title from a Department of Motor Vehicles as proof of ownership.

### **New Owner Reported**

When a vehicle is sold to a new owner, the Title must be transferred to the new owner(s) at a Department of Motor Vehicles.

### **Ownership History**

CARFAX defines an owner as an individual or business that possesses and uses a vehicle. Not all title transactions represent changes in ownership. To provide estimated number of owners, CARFAX proprietary technology analyzes all the events in a vehicle history. Estimated ownership is available for vehicles manufactured after 1991 and titled solely in the US including Puerto Rico. Dealers sometimes opt to take ownership of a vehicle and are required to in the following states: Maine, Massachusetts, New Jersey, Ohio, Oklahoma, Pennsylvania and South Dakota. Please consider this as you review a vehicle's estimated ownership history.

### **Toyota Recall / Service Campaign**

Portions of this report have been included under license from Toyota Motor North America, Inc. ("TOYOTA"), License Agreement TMS1013 . This data applies only to vehicle marketed or originally sold in Mexico and the United States of America, including Guam, Saipan, American Samoa, Puerto Rico, the U.S. Virgin Islands and the other United States territories and protectorates with currently open safety or emissions recalls, or service campaigns. While TOYOTA provides data to Carfax Inc. on a regular basis, this report may not include very recent activity. For the manufacturer's most current information on recall/campaign activity for any Toyota, Lexus or Scion brand vehicle, you must go to <http://toyota.com/recall> or <http://lexus.com/recall>.

**Follow Us:**



[facebook.com/CARFAX](https://www.facebook.com/CARFAX)



[@CARFAXinc](https://twitter.com/CARFAXinc)



[About CARFAX](#)

CARFAX DEPENDS ON ITS SOURCES FOR THE ACCURACY AND RELIABILITY OF ITS INFORMATION. THEREFORE, NO RESPONSIBILITY IS ASSUMED BY CARFAX OR ITS AGENTS FOR ERRORS OR OMISSIONS IN THIS REPORT. CARFAX FURTHER EXPRESSLY DISCLAIMS ALL WARRANTIES, EXPRESS OR IMPLIED, INCLUDING ANY IMPLIED WARRANTIES OF MERCHANTABILITY OR FITNESS FOR A PARTICULAR PURPOSE.

© 2023 CARFAX, Inc., part of S&P Global. All rights reserved.  
6/12/23 12:28:27 PM (CDT)

**I have reviewed and received a copy of the CARFAX Vehicle History Report for this 2015 TOYOTA COROLLA vehicle (VIN: 2T1BURHE5FC449710), which is based on information supplied to CARFAX and available as of 6/12/23 at 1:28 PM (EDT).**

---

**Customer Signature**

**Date**

---

**Dealer Signature**

**Date**