

## Heracles Mini Excavator HR18





# Technical Specification



## Engine

Model	Kubota Corporation - MKBXL01.5BCB – IN CONFORMITY WITH THE CLEAN AIR ACT	
Type	Direct injection, water cooled, natural intake	
No. of cylinder	3	



## Main Performance

Swing Speed	r/min	10-12
Traveling Speed	km/H	2.8
Grade ability	%	70(35° )
Traveling Tracking Force	kN	15
Bucket Digging Force	kN	11.5
Arm Digging Force	kN	9.3



## Hydraulic System

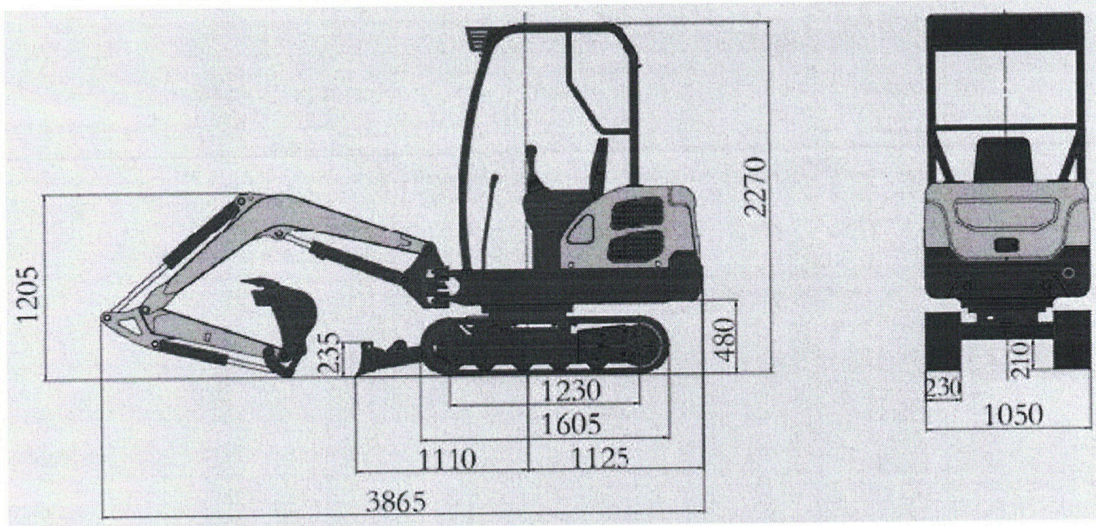
Hydraulic system working pressure	Mpa	16
Hydraulic Pump	Gear Pump	TJHD
Hydraulic pump flow	L/min	2×22+8.8
Swing Motor		Eaton
Traveling Motor		Eaton
Fuel Tank Capacity	L	26
Hydraulic Tank Capacity	L	27



## Overall Dimensions

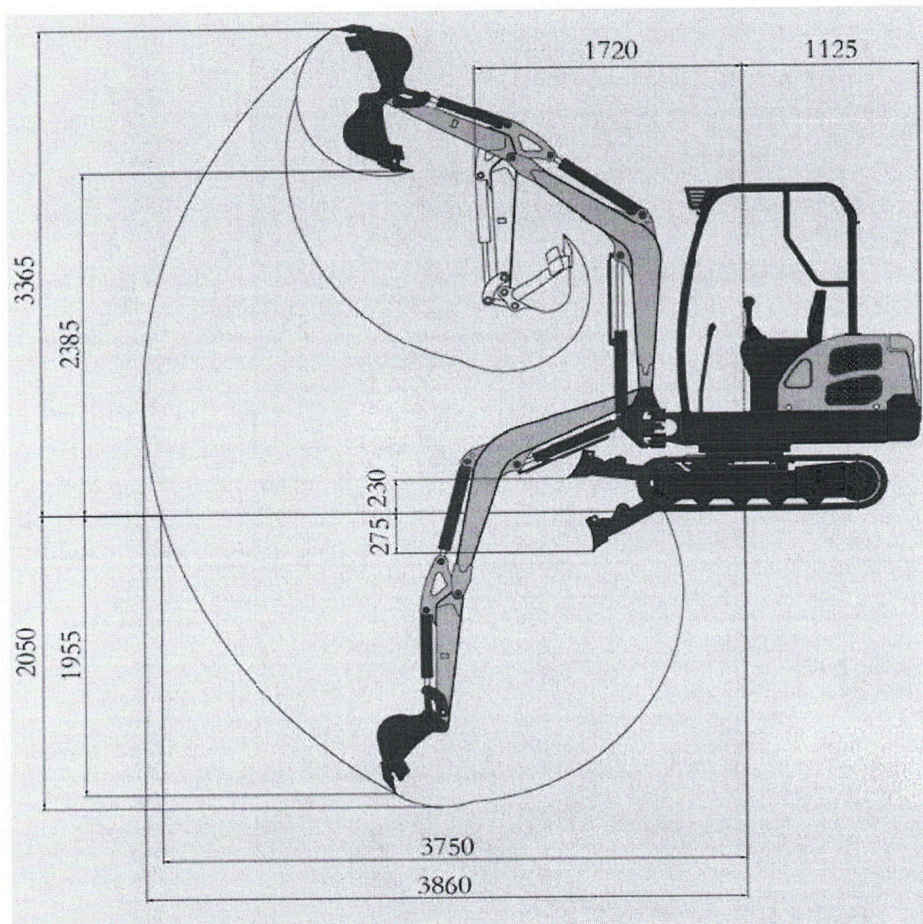
Overall Length	mm	3865
Overall Width	mm	1050
Overall Height	mm	2270
Ground clearance	mm	480
Track length	mm	1605
Track width	mm	230
Undercarriage width	mm	1050
Undercarriage ground clearance	mm	235
Dozer Blade	mm	1050×235





## Operation parameters

Operation Weight	KG	1800
Bucket Capacity	m <sup>3</sup>	0.06
Max. Digging Radius	mm	3860
Max. Digging Depth	mm	2050
Max. Digging Height	mm	3365
Max. Dumping Height	mm	2385
Max. Dozer Cutting	mm	275
Max. Dozer Lifting	mm	230
Boom Deflexion (Left/Right)	°	75/45
Tail Swing Radius	mm	1125
Front Min. Swing Radius	mm	1720



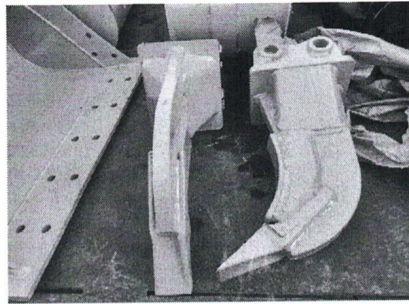




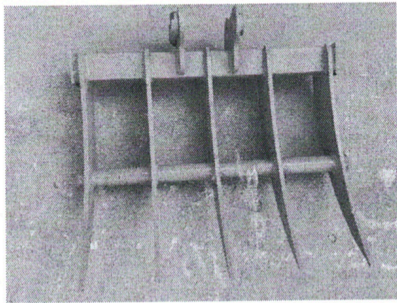
HR18



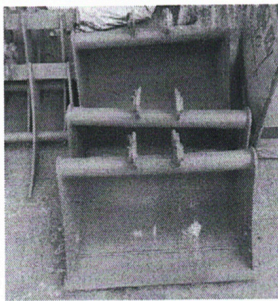
CLIP



RIPPER



RAKE



800MM WIDTH BUCKET

HAMMER BREAKER



THUMB



TRACK





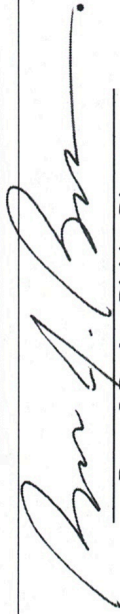


**UNITED STATES ENVIRONMENTAL PROTECTION AGENCY  
2021 MODEL YEAR  
CERTIFICATE OF CONFORMITY  
WITH THE CLEAN AIR ACT**

**OFFICE OF TRANSPORTATION  
AND AIR QUALITY  
ANN ARBOR, MICHIGAN 48105**

**Certificate Issued To:** Kubota Corporation  
(U.S. Manufacturer or Importer)  
**Certificate Number:** MKBXL01.5BCB-015

**Effective Date:**  
10/20/2020  
**Expiration Date:**  
12/31/2021

  
Byron J. Bunker, Division Director  
Compliance Division

**Issue Date:**  
10/20/2020  
**Revision Date:**  
N/A

**Model Year:** 2021  
**Manufacturer Type:** Original Engine Manufacturer  
**Engine Family:** MKBXL01.5BCB

**Mobile/Stationary Indicator:** Mobile  
**Emissions Power Category:** 8<=kW<19  
**Fuel Type:** Diesel  
**After Treatment Devices:** No After Treatment Devices Installed  
**Non-after Treatment Devices:** Engine Design Modification

Pursuant to Section 213 of the Clean Air Act (42 U.S.C. section 7547) and 40 CFR Part 1039, and subject to the terms and conditions prescribed in those provisions, this certificate of conformity is hereby issued with respect to the test engines which have been found to conform to applicable requirements and which represent the following engines, by engine family, more fully described in the documentation required by 40 CFR Part 1039 and produced in the stated model year.

This certificate of conformity covers only those new compression-ignition engines which conform in all material respects to the design specifications that applied to those engines described in the documentation required by 40 CFR Part 1039 and which are produced during the model year stated on this certificate of the said manufacturer, as defined in 40 CFR Part 1039.

It is a term of this certificate that the manufacturer shall consent to all inspections described in 40 CFR 1068 and authorized in a warrant or court order. Failure to comply with the requirements of such a warrant or court order may lead to revocation or suspension of this certificate for reasons specified in 40 CFR Part 1039. It is also a term of this certificate that this certificate may be revoked or suspended or rendered void *ab initio* for other reasons specified in 40 CFR Part 1039.

This certificate does not cover engines sold, offered for sale, or introduced, or delivered for introduction, into commerce in the U.S. prior to the effective date of the certificate.

